

FAG

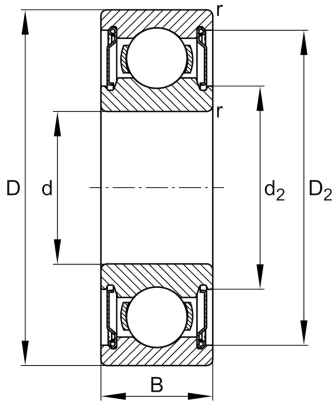
6206-H-2Z

Deep groove ball bearing

Schaeffler ID:
0938592790000

Deep groove ball bearing 62...-H-2Z, single row, H-Series, shields, steel sheet metal cage

Technical information

**Main Dimensions & Performance Data**

d	30 mm	Bore diameter
D	62 mm	Outside diameter
B	16 mm	Width
C_r	19.800 N	Basic dynamic load rating, radial
C_{0r}	12.800 N	Basic static load rating, radial
C_{ur}	670 N	Fatigue load limit, radial
n_G	13.600 1/min	Limiting speed
n_{gr}	11.800 1/min	Reference speed
	0,201 kg	Weight

Dimensions

r_{min}	1 mm	Minimum chamfer dimension
D_2	54,4 mm	Caliber diameter outer ring
d_2	39,2 mm	Caliber diameter inner ring

Mounting dimensions

$d_{a min}$	35,6 mm	Minimum diameter shaft shoulder
$D_{a max}$	56,4 mm	Maximum diameter of housing shoulder
$r_{a max}$	1 mm	Maximum fillet radius

Calculation factors

f_0	15,7	Calculation factor
-------	------	--------------------

Temperature range

T_{min}	-20 °C	Operating temperature min.
T_{max}	120 °C	Operating temperature max.

